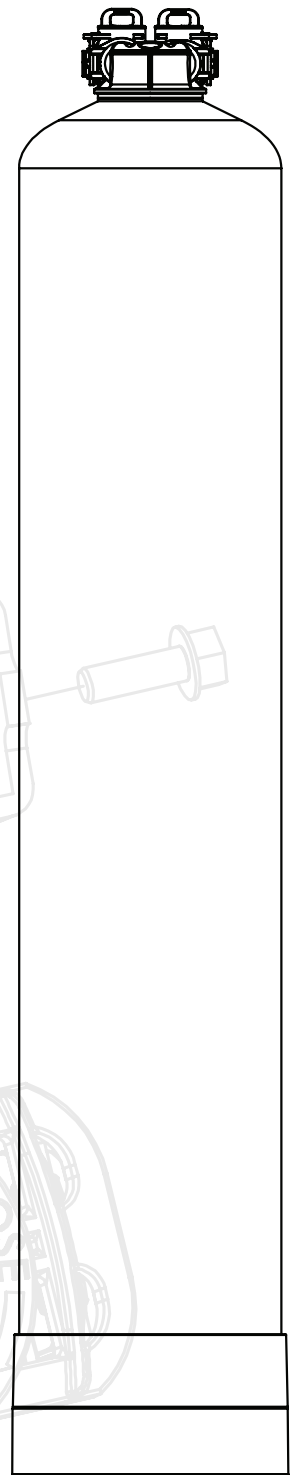
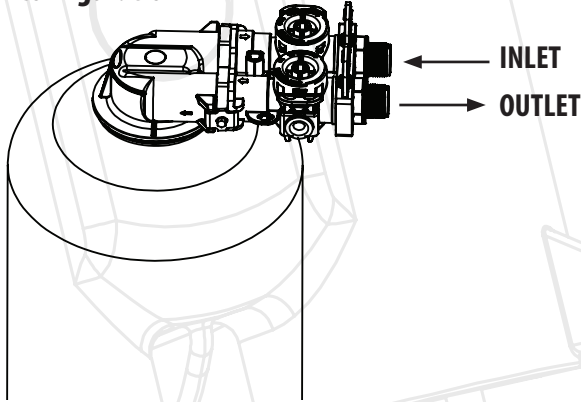


OWNER'S MANUAL

The Inlet and Outlet should be as per below illustration. This will ensure that water will flow through the filter in an upflow configuration



NRV Filter

FOLLOW THE INSTALLATION INSTRUCTIONS CAREFULLY. FAILURE TO INSTALL THE UNIT PROPERLY VOIDS THE WARRANTY. BEFORE YOU BEGIN INSTALLATION, READ THIS ENTIRE MANUAL. THEN, OBTAIN ALL THE MATERIALS AND TOOLS

PLEASE NOTE: THE LIFE EXPECTANCY OF THE CARBON MEDIA BED IN THESE UNITS WILL BE REDUCED AS COMPARED TO A BACK WASHING STYLE CARBON FILTER. THE ACTUAL MEDIA BED LIFE WILL VARY DEPENDING ON WATER CONSUMPTION, CHLORINE/CHLORAMINES CONCENTRATION AND FLOW RATE. EXCEEDING THE PEAK FLOW RATE LISTED ON PAGE SIX WILL DRASTICALLY REDUCE THE LIFE EXPECTANCY OF THE CARBON MEDIA.

1. Read all instructions carefully before operation.
2. Avoid pinched o-rings during installation by applying (provided with install kit) NSF certified lubricant to all seals.
3. This system is not intended for treating water that is microbiologically unsafe or of unknown quality without adequate disinfection before or after the system.

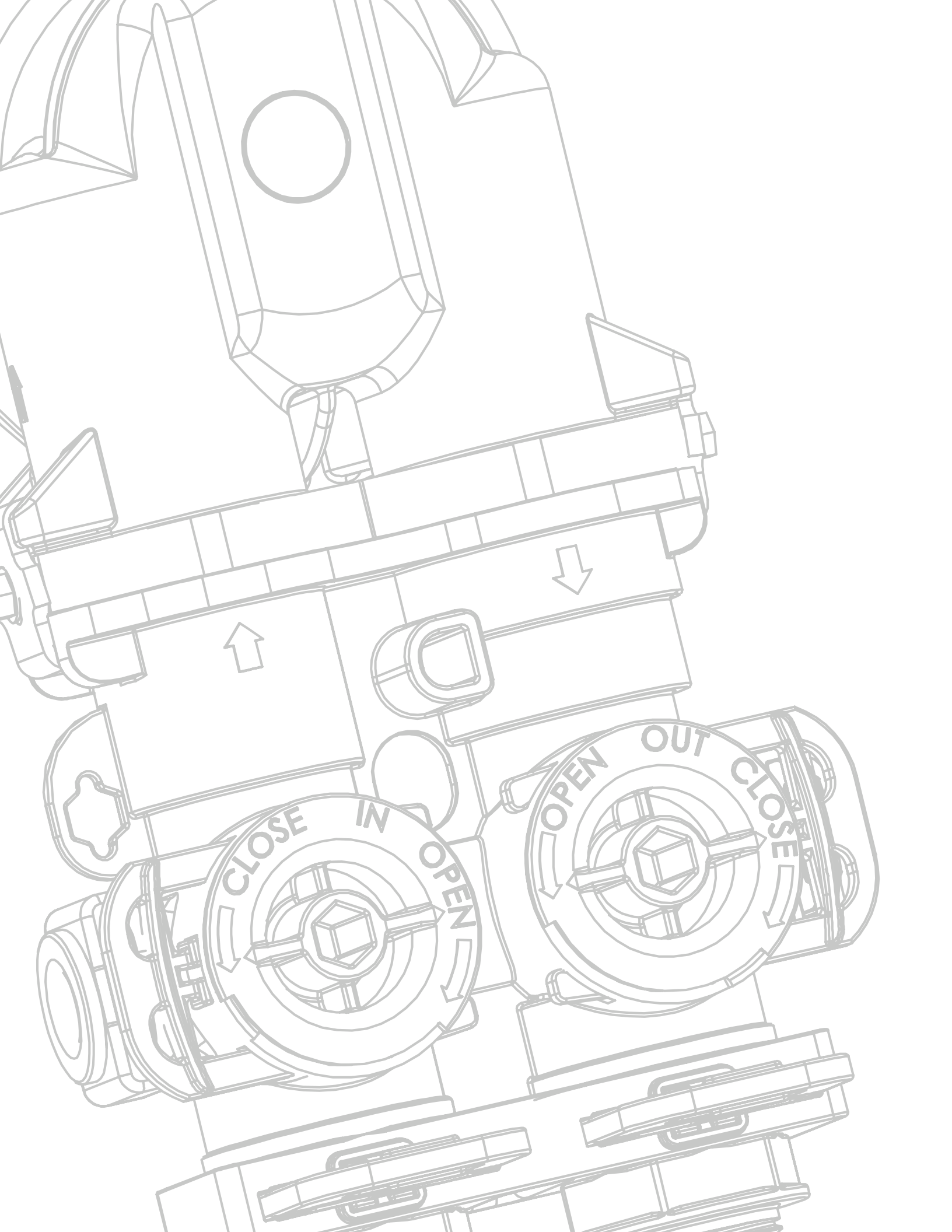


Table of Contents

UNPACKING / INSPECTION	4
SAFETY GUIDE	5
PROPER INSTALLATION	5
SYSTEM DIMENSIONS	5
SPECIFICATIONS	6
BEFORE STARTING INSTALLATION	6
INSTALL BYPASS TO THE FILTER	7
INSTALLATION INSTRUCTIONS	7
INSTALLATION	9
PARTS BREAKDOWN	10
TROUBLE SHOOTING	11
WARRANTY	12

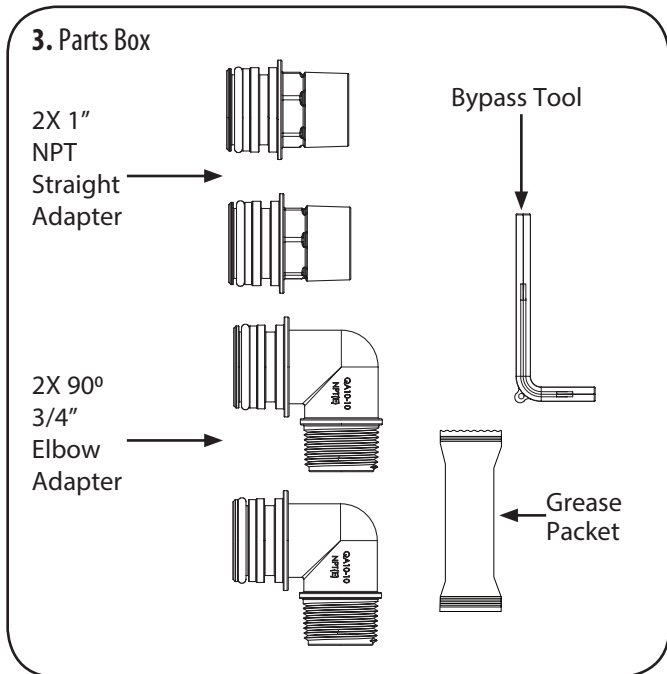
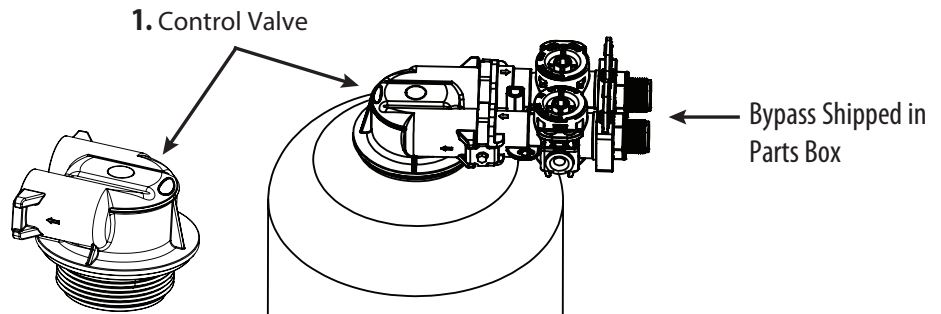
UNPACKING / INSPECTION

Be sure to check the entire unit for any shipping damage or parts loss. Also note damage to the shipping cartons. Contact the transportation company for all damage and loss claims. The manufacturer is not responsible for damages in transit.

Small parts, needed to install the filter, are in a parts box. To avoid loss of the small parts, keep them in the parts bag until you are ready to use them.

What is included in the box?

1. Control Valve
2. Tank
3. Parts Box
4. Owners Manual



SAFETY GUIDE

For your safety, the information in this manual must be followed to minimize the risk of electric shock, property damage or personal injury.

- ▶ Check and comply with your provincial / state and local codes. You must follow these guidelines.
- ▶ Use care when handling the filter tank. Do not turn upside down, drop, drag or set on sharp protrusions.
- ▶ **WARNING:** This system is not intended for treating water that is microbiologically unsafe or of unknown quality without adequate disinfection before or after the system.

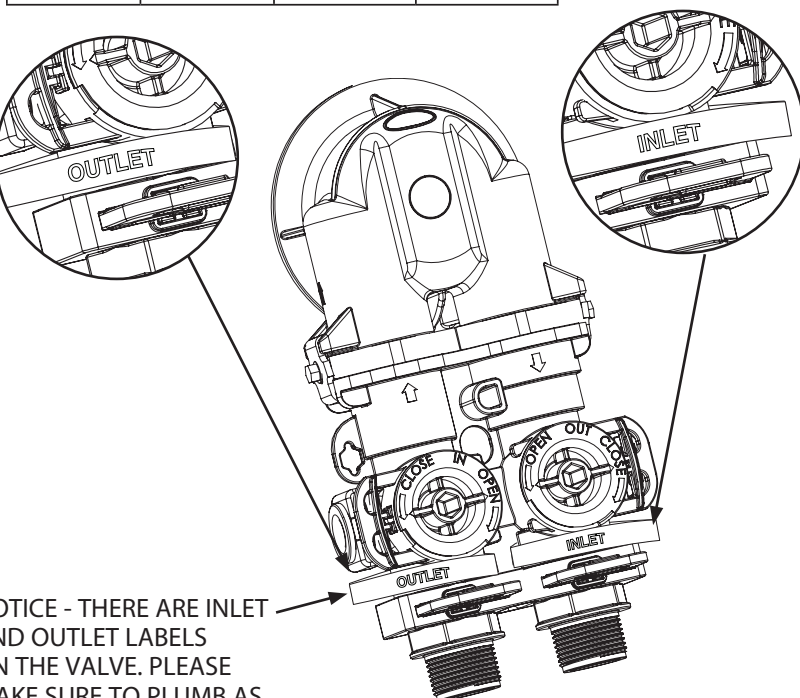
PROPER INSTALLATION

This water filter system must be properly installed and located in accordance with the Installation Instructions before it is used.

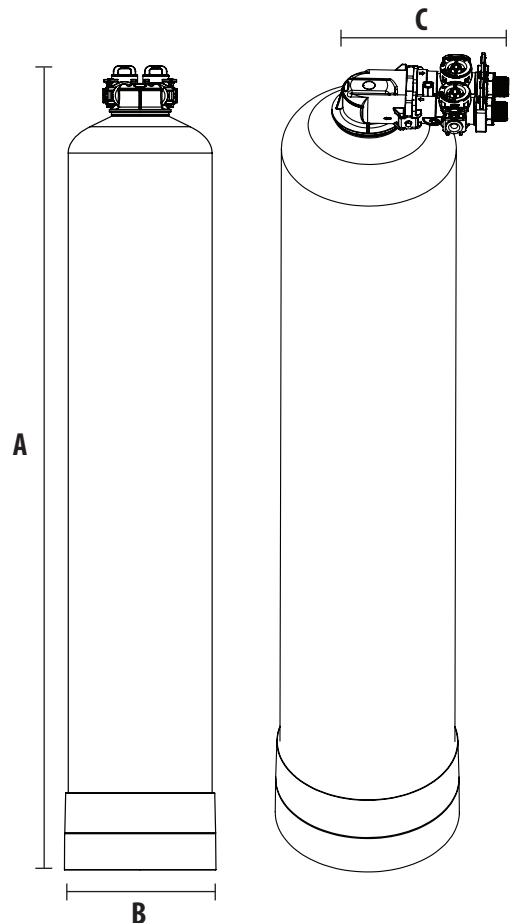
- ▶ **DO NOT** install or store where it will not be exposed to temperatures below freezing or exposed to any type of weather. Water freezing in the system will break it. Do not attempt to treat water over 100°F.
- ▶ **DO NOT** install in direct sunlight. Excessive sun or heat may cause distortion or other damage to non-metallic parts.
- ▶ Properly ground to conform with all governing codes and ordinances.
- ▶ Use only *lead-free solder and flux* for all sweat-solder connections, as required by state and federal codes.
- ▶ Maximum allowable inlet water pressure is 125 psi. If daytime pressure is over 80 psi, night time pressure may exceed the maximum. Use a pressure reducing valve to reduce the flow if necessary.
- ▶ **WARNING:** Discard all unused parts and packaging material after installation. Small parts remaining after the installation could be a choke hazard.

SYSTEM DIMENSIONS

Models	A (Inches)	B (Inches)	C (Inches)
NRV TO-100	52	9"	12
NRV TO-150	58	10"	12
NRV TOK-100	52	9"	12
NRV TOK-150	58	10"	12



NOTICE - THERE ARE INLET AND OUTLET LABELS ON THE VALVE. PLEASE MAKE SURE TO PLUMB AS SHOWN HERE



SPECIFICATIONS

How Your Filter Works

These systems are complete, self-contained, loaded with media and ready to use. A simple inlet and outlet connection is all that is required for installation. Please review operating pressures, temperatures and water chemistry limitations to ensure compatibility.

Specifications	NRV TO-100	NRV TO-150	NRV TOK-100	NRV TOK-150
Peak Flow Rates	4.0 gpm	5.0 gpm	4.0 gpm	5.0 gpm
Filter Media Volume - Cubic Feet	1.0 ft	1.5 ft	1.0 ft	1.5 ft
Filter Tank Size	9x48	10x54	9x48	10x54
Media Type	Coconut Carbon	Coconut Carbon	Coconut Carbon With KDF Distributor	Coconut Carbon With KDF Distributor
Media Loaded	Yes	Yes	Yes	Yes
KDF Protector	No	No	Yes	Yes
Tank Jacket	No	No	No	No
Shipping Weight	60 lbs	78 lbs	60 lbs	78 lbs
Plumbing Connections	Includes 3/4" 90° Elbows & 1" Straight NPT. Bypass Included.			
Electrical Requirements	None			
Water Temperature	Min 39 - Max. 100 degrees Fahrenheit			
Water Pressure	Max. 125 psi			

BEFORE STARTING INSTALLATION

Tools, Pipe, and Fittings, Other Materials

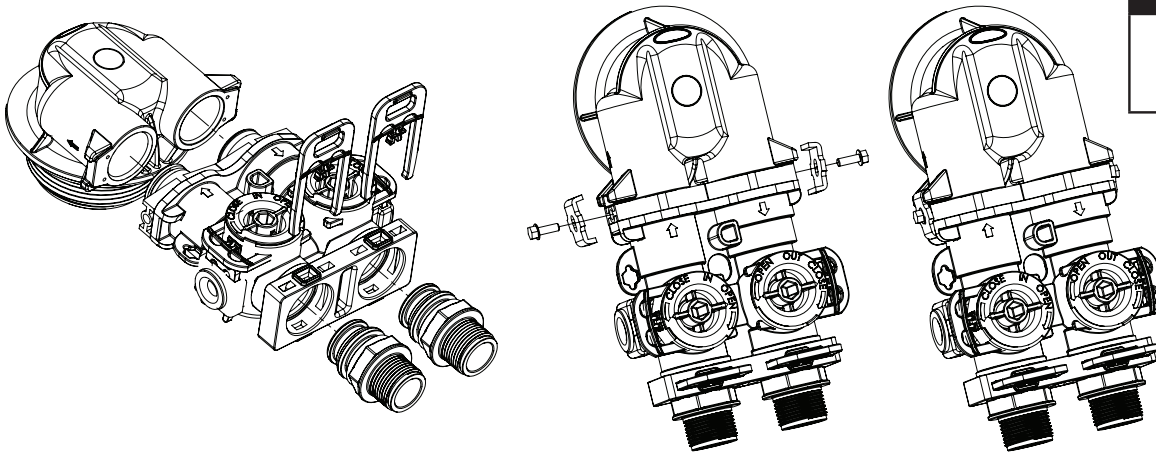
These systems are complete, self-contained, loaded with media and ready to use. A simple inlet and outlet connection is all that is required for installation. Please review operating pressures, temperatures and water chemistry limitations to ensure compatibility.

- ▶ Pliers.
- ▶ Screwdriver
- ▶ Teflon tape
- ▶ Razor knife
- ▶ Two adjustable wrenches
- ▶ Additional tools may be required if modification to home plumbing is required.
- ▶ Plastic inlet and outlet fittings are included with the filter. To maintain full valve flow, 3/4" or 1" pipes to and from the filter fittings are recommended. You should maintain the same, or larger, pipe size as the water supply pipe, up to the filter inlet and outlet.
- ▶ Use copper, brass, or PEX pipe and fittings.
- ▶ Some codes may also allow PVC plastic pipe.
- ▶ ALWAYS install the included bypass valve, or 3 shut-off valves. Bypass valves let you turn off water to the filter for repairs if needed, but still have water in the house pipes.

Where To Install The Filter

- ▶ Place the filter tank as close as possible to the pressure tank (well system) or water meter (city water).
- ▶ Connect the filter to the main water supply pipe **BEFORE** the water heater. **DO NOT RUN HOT WATER THROUGH THE FILTER.** Temperature of water passing through the filter must be less than 100 deg. F
- ▶ Do not install the filter in a place where it could freeze. **Damage caused by freezing is not covered by the warranty.**
- ▶ Put the filter in a place where water damage is least likely to occur if a leak develops. The manufacturer will not repair or pay for water damage.
- ▶ If installing in an outside location, you must take the steps necessary to assure the filter, installation plumbing, wiring, etc., are as well protected from the elements, contamination, vandalism, etc., as when installed indoors.
- ▶ **Keep the filter out of direct sunlight.** The sun's heat may soften and distort plastic parts.

INSTALL BYPASS TO THE FILTER



NOTE

Be sure to use silicone grease on the O-rings (Provided)

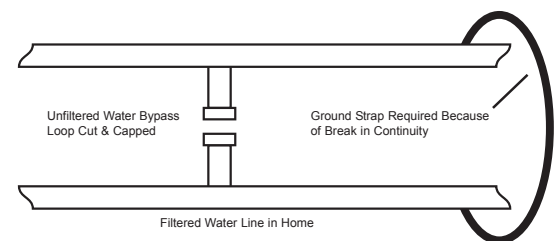
INSTALLATION INSTRUCTIONS

1. If your hot water tank is electric, turn off the power to it to avoid damage to the element in the tank.
2. If you have a private well, turn the power off to the pump and then shut off the main water shut off valve. If you have municipal water, simply shut off the main valve. Go to the faucet, (preferably on the lowest floor of the house) turn on the cold water until all pressure is relieved and the flow of water stops.
3. Connect the inlet and outlet of the filter using appropriate fittings. Perform all plumbing according to local plumbing codes.
- **ON COPPER PLUMBING SYSTEMS BE SURE TO INSTALL A GROUNDING WIRE BETWEEN THE INLET AND OUTLET PIPING TO MAINTAIN GROUNDING.**

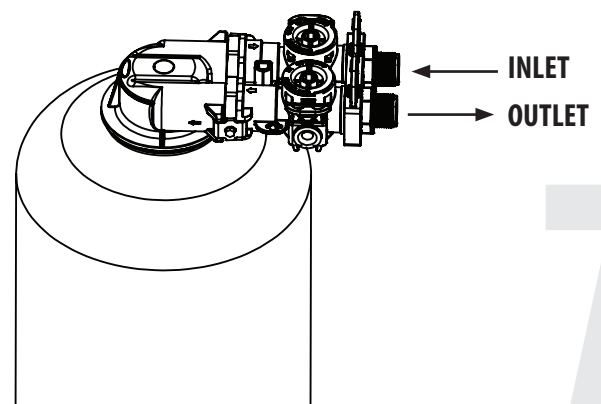
The Inlet and Outlet should be as per below illustration. this will ensure that water will flow through the filter under upflow configuration

Any solder joints near the valve must be done before connecting any piping to the valve. Always leave at least 6" (152 mm) between the valve and joints when soldering pipes that are connected to the valve. Failure to do this could cause damage to the valve.

4. Using the Allen Key (included), place the unit in the bypass position. Slowly turn on the main water supply. At the nearest cold treated water tap nearby remove the faucet screen, open the faucet and let water run a few minutes or until the system is free of any air or foreign material resulting from the plumbing work.



The Inlet and Outlet should be as per below illustration. This will ensure that water will flow through the filter in an upflow configuration



5. Make sure there are no leaks in the plumbing system before proceeding. Close the water tap when water runs clean.
6. Proceed to start up instructions. **Note: The unit is not ready for service until you complete the start-up instructions.**

Note : Carbon filters only:

Once the unit has filled sufficiently that water is at least equal to the height of the media shut down the water for 15 – 20 minutes for the carbon to soak. After the carbon has soaked for the recommended time continue with installation instructions.

Additional information for Non backwashing carbon filter.

After soaking, remove the aerator screen from the nearest faucet, run water at this faucet until all fines (black) is gone from the water.

Care of Your System

To retain the attractive appearance of your new water filter, clean occasionally with mild soap solution. Do not use abrasive cleaners, ammonia or solvents. Never subject your filter to freezing or to temperatures above 100°F.

Replacing the Media Bed

Carbon NRV Filter - under normal operating conditions the effective life of the filter media is approximately one to three years, depending on the water quality, after which, taste and odor problems may return. When this happens, contact your dealer for a replacement media bed.

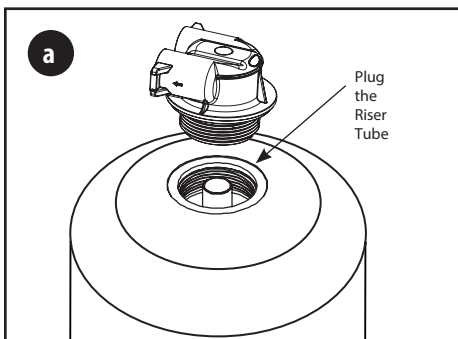
Check to ensure all media parts are received.

The first step in replacing the media bed is to shut off the water supply to the filter. At this point, you must disconnect the plumbing from the inlet and outlet. Then unscrew the head from the fiberglass tank. Once this has been done, remove the distributor tube. Then you can remove the filter media and two types of gravel from the tank. The quickest way to do this is by simply tipping the tank upside down into a large drum or pail.

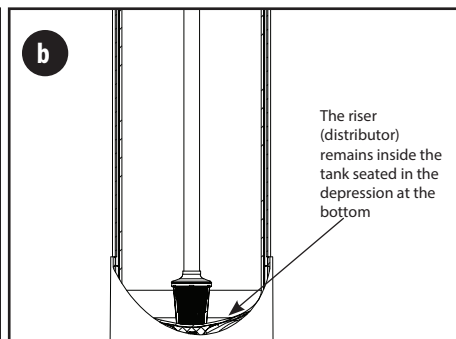
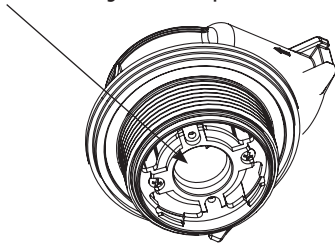
Loading the Media Pak

Place the distributor tube back down the center of the tank. NOTE: the top of this tube should be plugged with a rag or cork to prevent media from entering. Pour the bag of coarse gravel into the tank, and then pour the bag of fine gravel into the tank.

It is important that the distributor tube is not moved or pulled out as it is not possible to put it down to the bottom of the tank once gravel or media are in the tank.

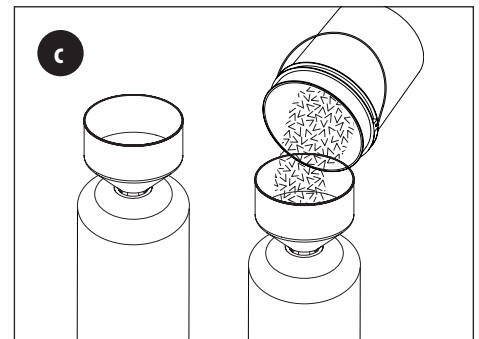


a) Remove the adaptor from the mineral tank. Grease the bottom oring of the adaptor.



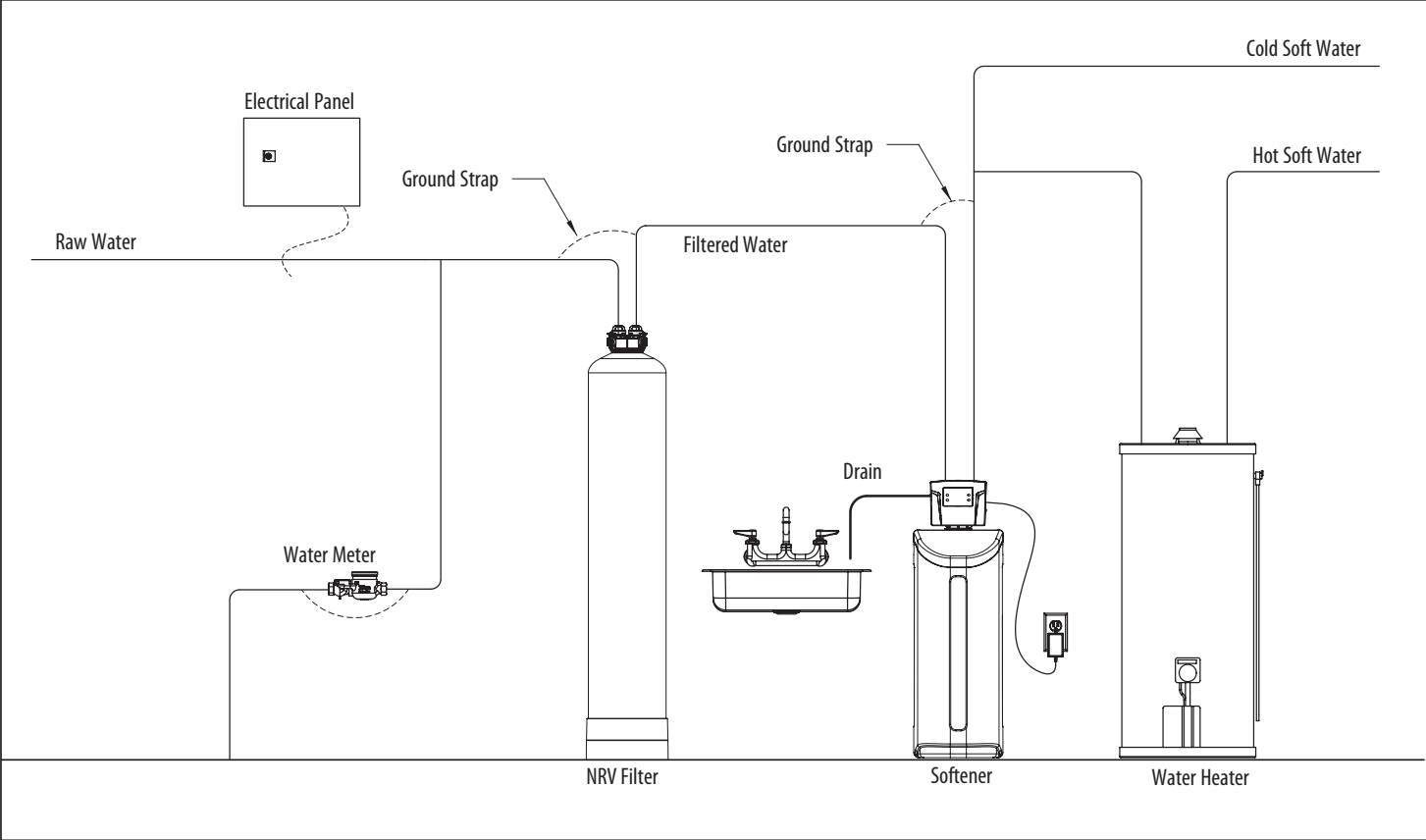
b) Temporarily plug the open end of the riser tube to ensure that no resin or gravel falls down into the distribution. The riser (distributor) remains inside the tank seated in the depression at the bottom.

Plug tube with a tape. Remove after media is loaded.

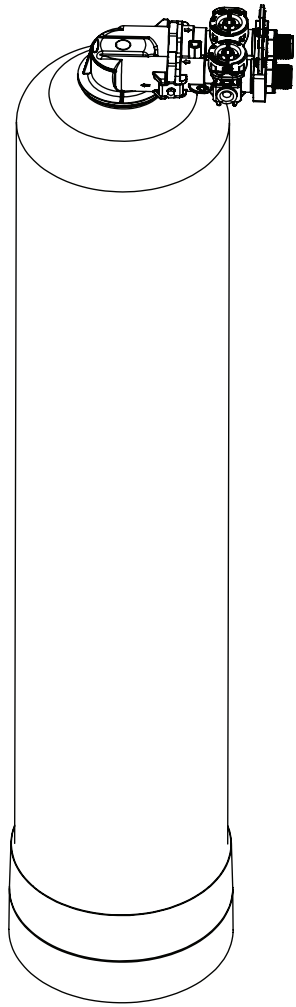
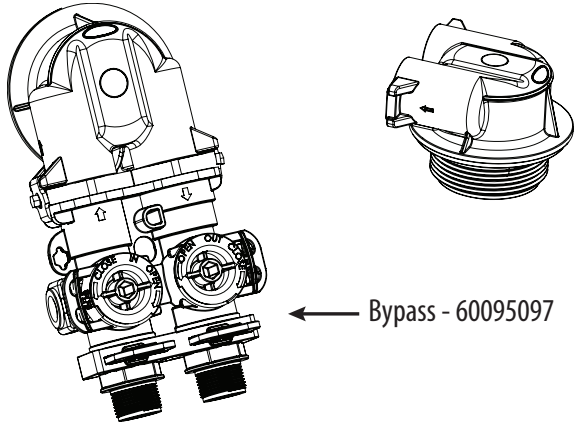


c) Fill support bed first. The media will not always spill down inside the tank and may need to be swept inside. The large funnel (sold separately makes filling the tank easier and neater. (Or an empty 1 gallon or 4 liter container with the bottom cut out makes a good funnel.)

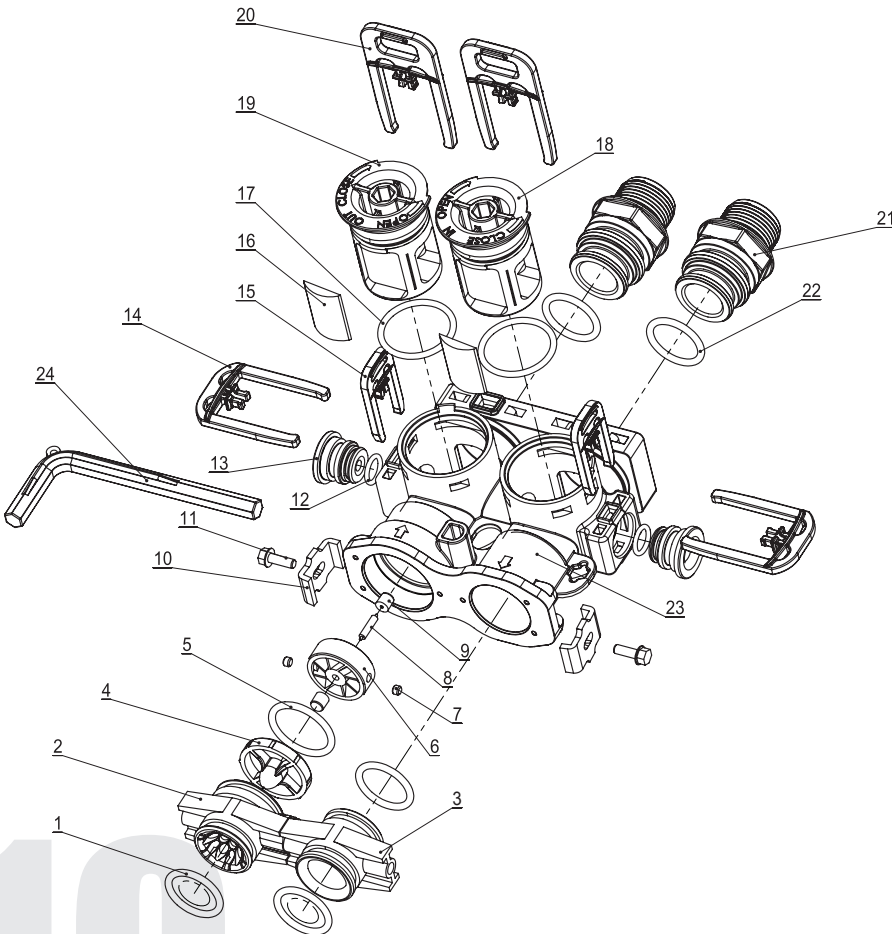
INSTALLATION



PARTS BREAKDOWN



Model	Mineral Tank Size	Tank # (Natural Color)	Tank # (Black Color)	Tank # (Blue Color)	Distributor#	Valve #	Media Bed #
NRV-100	9 x 48	25010034	25010036	25010035	50010005	60010068	95402
NRV-150	10 x 54	25010049	25010051	25010050	50010005		95403
NRV-100TOK	9 x 48	25010034	25010036	25010035	50010012	60010068	95402
NRV-150TOK	10 x 54	25010049	25010051	25010050	50010012		95403



Bypass parts list

No.	Part # (WaterGroup)	Description	Qty
24	60010006	Bypass Tool	1
23	NOT SOLD	063 Bypass Body	1
22	60010026	O-ring(22.4x3.55)	2
21	60010020	Connector 3/4"NPT	2
20	60095087	Connector Clip	2
19	60095088	Bypass Shaft(Outlet)	1
18	60095089	Bypass Shaft(Inlet)	1
17	60095614	O-ring(30x2.65)	2
16	60095051	Shaft Seal	2
15	92846	Plug Clip	2
14	60095090	Shaft Clip	2
13	60010209	Bypass Plug	2
12	60010044	O-ring(12x2)	2
11	60010126	Screw M4x12	2
10	60010046	SS Clip	2
9	60095054	Bush	2
8	60010238	Impeller Pin	1
7		Magnet	2
6		Impeller	1
5	60010102	O-ring(27x3)	1
4	60010587	Impeller Support	1
3	60010079	Valve-Bypass Connector(Inlet)	1
2	60010101	Valve-Bypass Connector(Outlet)	1
1	60010562	O-ring(23x3)	3

TROUBLE SHOOTING

A. FILTER BLEEDS TASTE AND ODOR OR SEDIMENT	1. By-pass valve open.	Close by-pass valve.
	2. Defective or stripped media bed	Replace media
	3. Quality of water has worsened	Have water sample analyzed to determine any change
	4. Filter capacity too small	Replace with larger unit or add another filter
	5. Leak between valve and central tube.	Check if central tube is cracked or o-ring is damaged. Replace faulty parts.
B. LOW WATER PRESSURE		
B. LOW WATER PRESSURE	1. Iron or scale build up in line feeding unit.	Clean pipes.
	2. Inlet of control plugged due to foreign material.	Clean control valve.

WARRANTY

Canature WaterGroup™ warrants that your new water conditioner is built of quality material and workmanship. When properly installed and maintained, it will give years of trouble free service.

Five Year Complete Parts Warranty

Canature WaterGroup™ will replace any part which fails within 60 months from date of manufacture, as indicated by the serial number, provided the failure is due to a defect in material or workmanship. The only exception shall be when proof of purchase or installation is provided and then the warranty period shall be from the date thereof.

Ten Year Warranty on Mineral Tanks and Brine Tanks

Canature WaterGroup™ will provide a replacement mineral tank or brine tank to any original equipment purchaser in possession of a tank that fails within 120 months, provided that the water conditioner is at all times operated in accordance with specifications and not subject to freezing.

General Provisions

Damage to any part of this water conditioner or filter as a result of misuse, misapplication, neglect, alteration, accident, installation or operation contrary to our printed instructions, damage to ion exchange resin and seals caused by chlorine / chloramines in the water supply, or damage caused by any force of nature is not covered in this warranty. We will repair or replace defective parts if our warranty department determines it to be defective under the terms of this warranty. Canature WaterGroup assumes no responsibility for consequential damage, labor or expense incurred as a result of a defect or failure.

Toll Free: 1-877-288-9888

Regina, SK • Cambridge, ON • Carmel, IN • Phoenix, AZ • Pottstown, PA